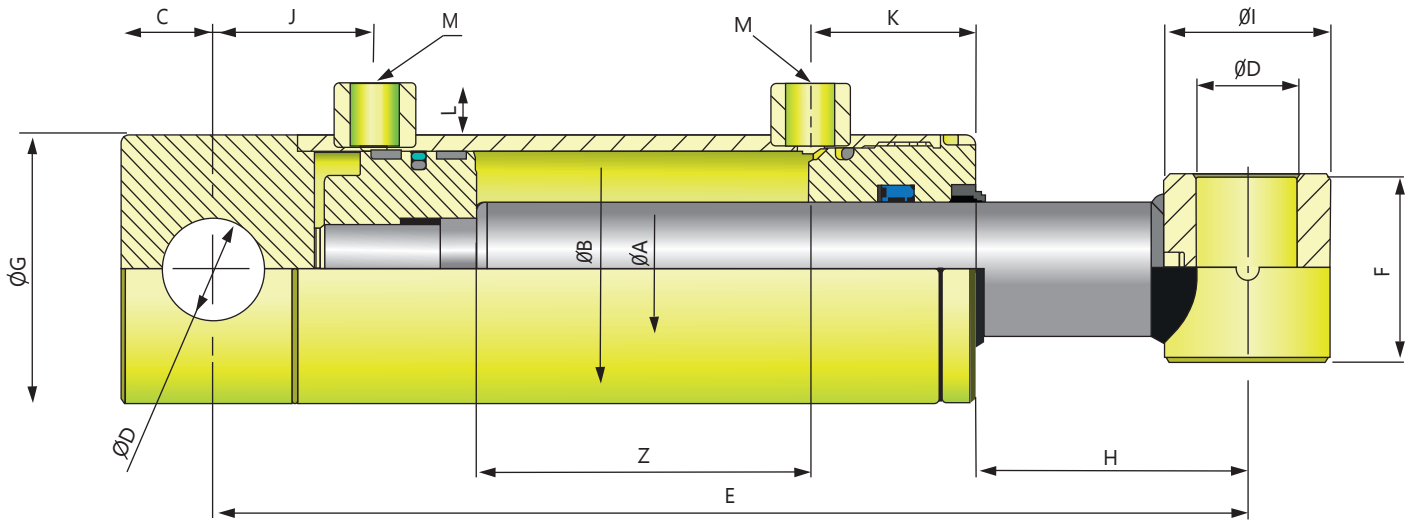


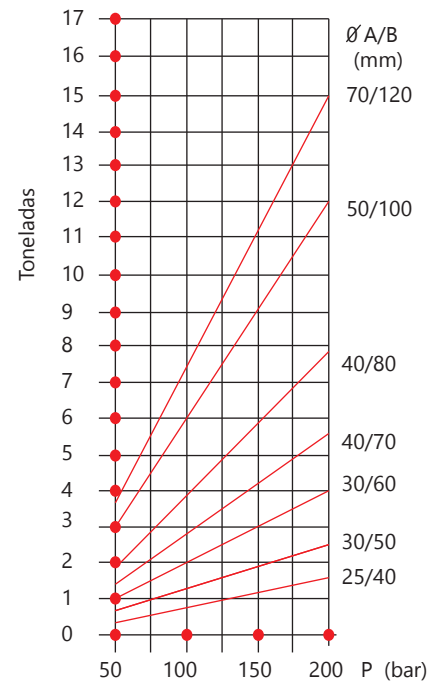
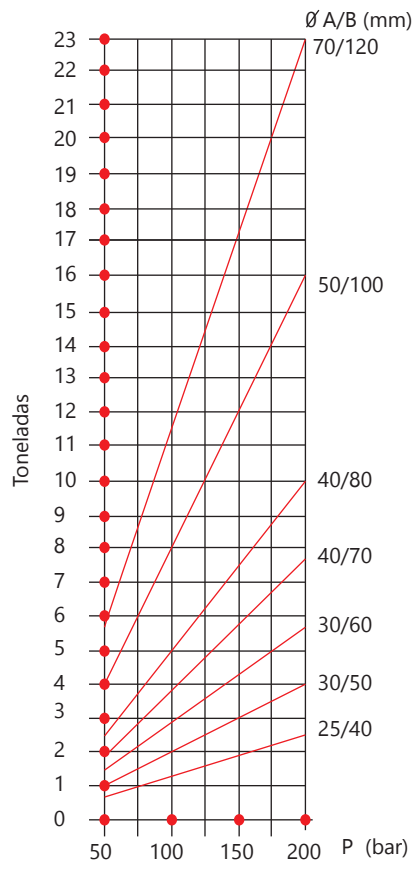
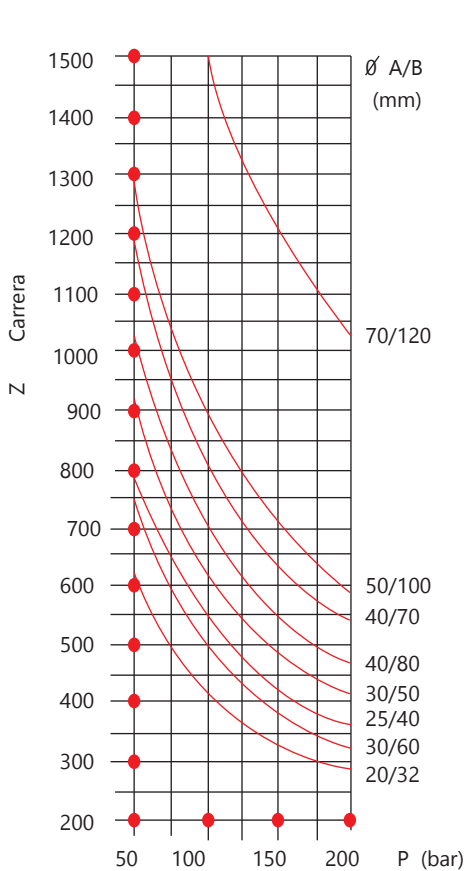
CILINDROS HIDRAULICOS DE DOBLE EFECTO



Pandeo

Fuerza de empuje

Fuerza de tracción



CILINDROS HIDRAULICOS DE DOBLE EFECTO

Código	ØA	ØB	Z-Carrera	E	C	D	F	G	H	I	J	K	L	M BSP
400022	25	40	100	270	17.5	20.25	40	50	64.5	35	37.5	40	15	3/8
400024	25	40	200	370	17.5	20.25	40	50	64.5	35	37.5	40	15	3/8
400026	25	40	300	470	17.5	20.25	40	50	64.5	35	37.5	40	15	3/8
400028	25	40	400	570	17.5	20.25	40	50	64.5	35	37.5	40	15	3/8
400030	25	40	500	670	17.5	20.25	40	50	64.5	35	37.5	40	15	3/8
400032	25	40	600	770	17.5	20.25	40	50	64.5	35	37.5	40	15	3/8
400034	25	40	700	870	17.5	20.25	40	50	64.5	35	37.5	40	15	3/8
400036	25	40	800	970	17.5	20.25	40	50	64.5	35	37.5	40	15	3/8
400038	25	40	900	1070	17.5	20.25	40	50	64.5	35	37.5	40	15	3/8
400040	25	40	1000	1170	17.5	20.25	40	50	64.5	35	37.5	40	15	3/8
402004	25	40	KIT DE SELLOS											

Código	ØA	ØB	Z-Carrera	E	C	D	F	G	H	I	J	K	L	M BSP
400106	30	50	100	300	22	25.25	45	60	85	40	42	43	15	3/8
400108	30	50	200	400	22	25.25	45	60	85	40	42	43	15	3/8
400110	30	50	300	500	22	25.25	45	60	85	40	42	43	15	3/8
400112	30	50	400	600	22	25.25	45	60	85	40	42	43	15	3/8
400114	30	50	500	700	22	25.25	45	60	85	40	42	43	15	3/8
400116	30	50	600	800	22	25.25	45	60	85	40	42	43	15	3/8
400118	30	50	700	900	22	25.25	45	60	85	40	42	43	15	3/8
400120	30	50	800	1000	22	25.25	45	60	85	40	42	43	15	3/8
400122	30	50	900	1100	22	25.25	45	60	85	40	42	43	15	3/8
400124	30	50	1000	1200	22	25.25	45	60	85	40	42	43	15	3/8
400125	30	50	1200	1400	22	25.25	45	60	85	40	42	43	15	3/8
400126	30	50	1400	1600	22	25.25	45	60	85	40	42	43	15	3/8
400127	30	50	1500	1700	22	25.25	45	60	85	40	42	43	15	3/8
402005	30	50	KIT DE SELLOS											

Código	ØA	ØB	Z-Carrera	E	C	D	F	G	H	I	J	K	L	M BSP
400140	30	60	100	300	22	25.25	45	70	83	40	46	45	15	3/8
400144	30	60	200	400	22	25.25	45	70	83	40	46	45	15	3/8
400146	30	60	300	500	22	25.25	45	70	83	40	46	45	15	3/8
400147	30	60	400	600	22	25.25	45	70	83	40	46	45	15	3/8
400148	30	60	500	700	22	25.25	45	70	83	40	46	45	15	3/8
400149	30	60	600	800	22	25.25	45	70	83	40	46	45	15	3/8
400150	30	60	700	900	22	25.25	45	70	83	40	46	45	15	3/8
400152	30	60	800	1000	22	25.25	45	70	83	40	46	45	15	3/8
400153	30	60	900	1100	22	25.25	45	70	83	40	46	45	15	3/8
400154	30	60	1000	1200	22	25.25	45	70	83	40	46	45	15	3/8
402006	30	60	KIT DE SELLOS											

CILINDROS HIDRAULICOS DE DOBLE EFECTO

Código	ØA	ØB	Z-Carrera	E	C	D	F	G	H	I	J	K	L	M BSP
400206	40	70	100	310	28	30.5	55	80	82	50	48	49	15	3/8
400208	40	70	200	410	28	30.5	55	80	82	50	48	49	15	3/8
400210	40	70	300	510	28	30.5	55	80	82	50	48	49	15	3/8
400212	40	70	400	610	28	30.5	55	80	82	50	48	49	15	3/8
400214	40	70	500	710	28	30.5	55	80	82	50	48	49	15	3/8
400216	40	70	600	810	28	30.5	55	80	82	50	48	49	15	3/8
400218	40	70	700	910	28	30.5	55	80	82	50	48	49	15	3/8
400220	40	70	800	1010	28	30.5	55	80	82	50	48	49	15	3/8
400222	40	70	900	1110	28	30.5	55	80	82	50	48	49	15	3/8
400224	40	70	1000	1210	28	30.5	55	80	82	50	48	49	15	3/8
400228	40	70	1200	1410	28	30.5	55	80	82	50	48	49	15	3/8
400230	40	70	1500	1710	28	30.5	55	80	82	50	48	49	15	3/8
402007	40	70	KIT DE SELLOS											

Código	ØA	ØB	Z-Carrera	E	C	D	F	G	H	I	J	K	L	M BSP
400240	40	80	100	310	28	30.5	55	90	70	50	48	54	15	3/8
400241	40	80	200	410	28	30.5	55	90	70	50	48	54	15	3/8
400242	40	80	300	510	28	30.5	55	90	70	50	48	54	15	3/8
400244	40	80	400	610	28	30.5	55	90	70	50	48	54	15	3/8
400246	40	80	500	710	28	30.5	55	90	70	50	48	54	15	3/8
400248	40	80	600	810	28	30.5	55	90	70	50	48	54	15	3/8
400250	40	80	700	910	28	30.5	55	90	70	50	48	54	15	3/8
400252	40	80	800	1010	28	30.5	55	90	70	50	48	54	15	3/8
400254	40	80	900	1110	28	30.5	55	90	70	50	48	54	15	3/8
400256	40	80	1000	1210	28	30.5	55	90	70	50	48	54	15	3/8
402008	40	80	KIT DE SELLOS											

Código	ØA	ØB	Z-Carrera	E	C	D	F	G	H	I	J	K	L	M BSP
400306	50	100	100	325	28	30.5	70	115	75	60	48	60	17	1/2
400308	50	100	200	425	28	30.5	70	115	75	60	48	60	17	1/2
400310	50	100	300	525	28	30.5	70	115	75	60	48	60	17	1/2
400312	50	100	400	625	28	30.5	70	115	75	60	48	60	17	1/2
400314	50	100	500	725	28	30.5	70	115	75	60	48	60	17	1/2
400316	50	100	600	825	28	30.5	70	115	75	60	48	60	17	1/2
400318	50	100	700	925	28	30.5	70	115	75	60	48	60	17	1/2
400320	50	100	800	1025	28	30.5	70	115	75	60	48	60	17	1/2
400322	50	100	900	1125	28	30.5	70	115	75	60	48	60	17	1/2
402010	50	100	KIT DE SELLOS											

Código	ØA	ØB	Z-Carrera	E	C	D	F	G	H	I	J	K	L	M BSP
400440	70	120	400	670	40	40.5	80	140	75	80	65	82	17	1/2
400442	70	120	500	770	40	40.5	80	140	75	80	65	82	17	1/2
400444	70	120	600	870	40	40.5	80	140	75	80	65	82	17	1/2
400446	70	120	700	970	40	40.5	80	140	75	80	65	82	17	1/2
400448	70	120	800	1070	40	40.5	80	140	75	80	65	82	17	1/2
400450	70	120	1000	1270	40	40.5	80	140	75	80	65	82	17	1/2
402012	70	120	KIT DE SELLOS											